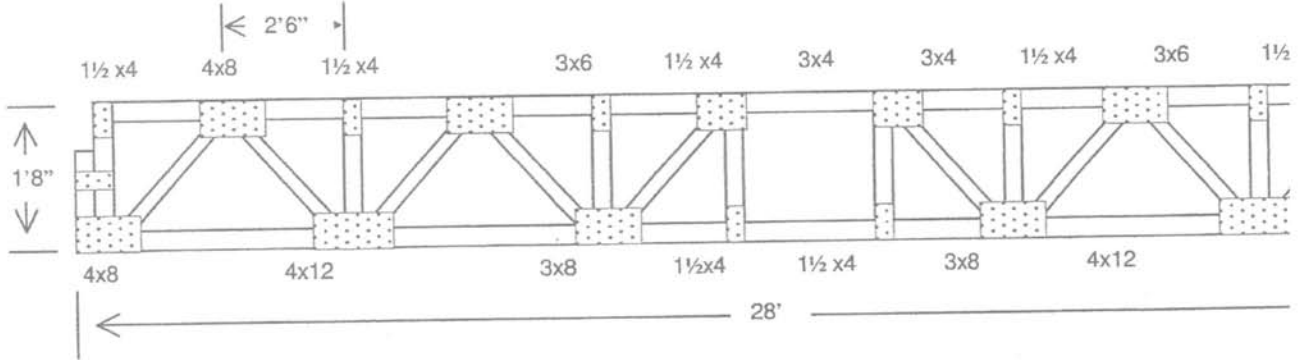


Job : 55512125551212

Top Chord 4x2 SP SS Dense
 Bot Chord 4x2 SP SS Dense
 Web 4x2 SP SS Dense

Truss Must Be Installed As Shown With
 2x6 Continuous Strongback. See ANSI/T

Calculated Vertical Deflection Is .78" Due To Live Load
 .27" Due To Dead Load at X=13-1-12



IBC/TPT1995(STD)

QTY=27 TOTAL=27

Rev.7.18.1973.01



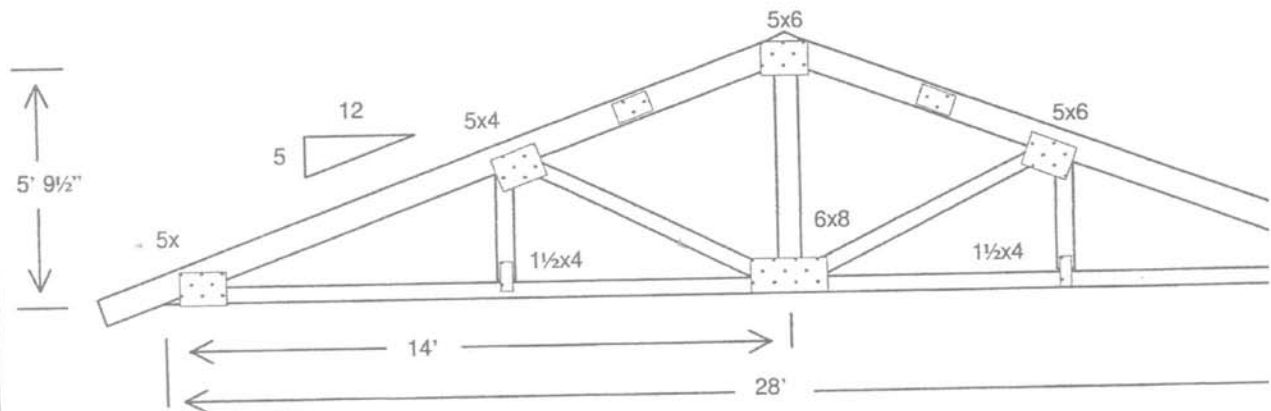
Warning. Trusses Require Extreme Care In Fabricating, Handling, And Bracing. This Is Only An Example Of A Truss Spec. If It Was Real, Other Words Would Be Here. I AM Only Trying To Fill The Space That I have Created. The Use Of This Drawing Is Not Intended To Be Used In Part Or Whole. It Was Drawn Not To Scale. It Was Drawn By An Electrical Inspector That Has No Clue About Structural Design.

| | |
|---------|--------|
| TC LL | 40 PSI |
| TC DL | 10 PSI |
| BC DL | 5 PSI |
| BC LL | 0 PSI |
| TOT L.D | 55 PSI |
| DUR | 1. |
| SPACING | 34 |

TRUSS SAMPLES

Job : 55512125551212

Top Chord 2x6 SPF Dense
 Bot Chord 2x4 SPF Dense
 Web 2x4 SPF Dense



IBC/TPT1995(STD)

QTY=25 TOTAL=25

Rev.7.18.1973.02

| | |
|-------|--------|
| TC LL | 75 PSI |
| TC DL | 0 PSI |